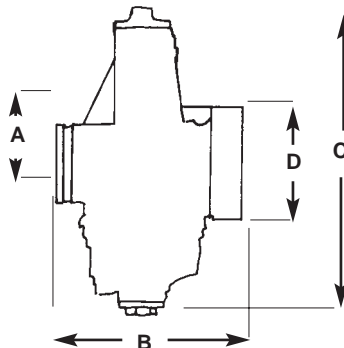
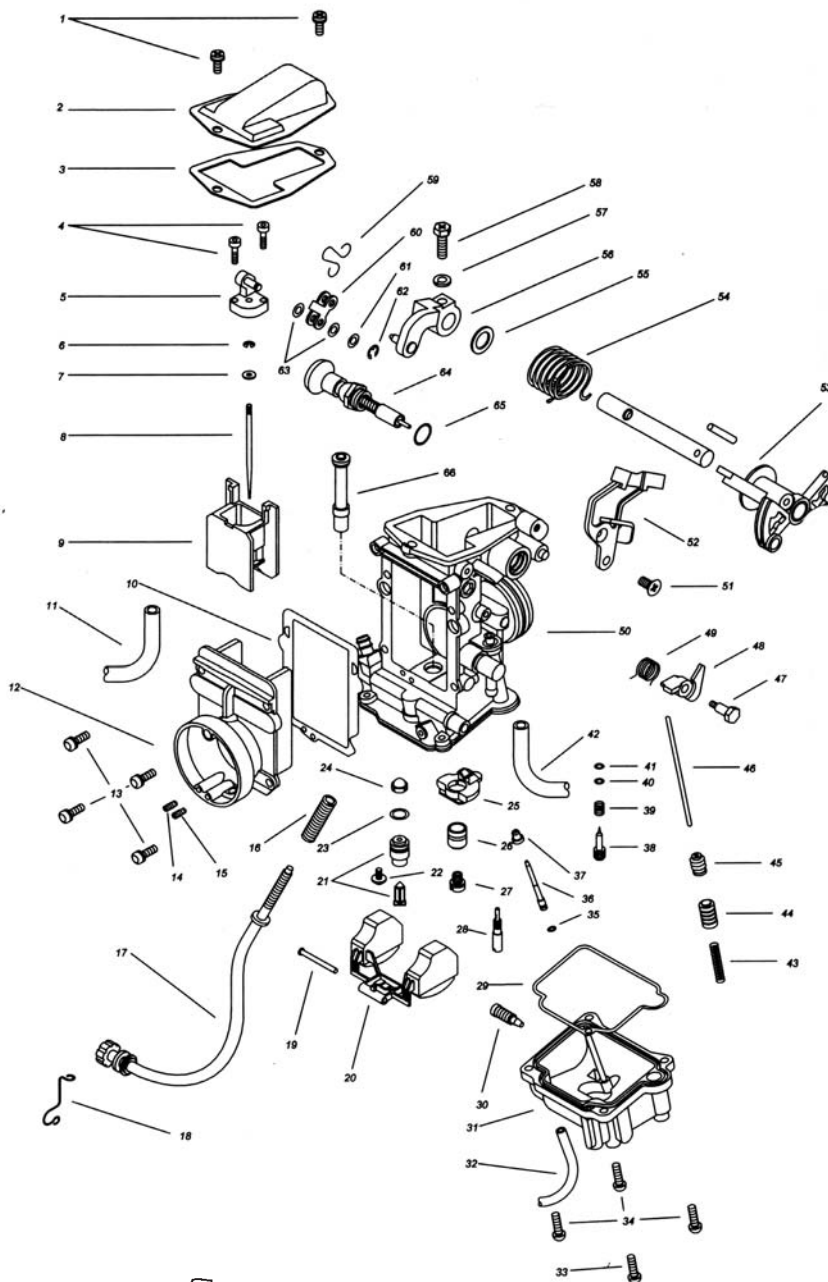


MIKUNI TM33 PARTS

TM33 Carburetor

Part No. 001-032

Description	Mikuni No.	Order No.
1 Screw, Top Cover	CW2=0410	007-626
2		
3 Gasket, Top Cover	TM29/17	007-643
4		
5		
6 E-Ring	VM20/369	002-083
7 Packing	VM26/315	007-124
8 Jet Needle	J8-5FP96-3	Pg. 152
9 Throttle Valve	832-38007-1.5	002-948
10		
11		
12		
13 Screw, Air Funnel	VM38/133	002-749
14 Pilot Air Jet	BS30/97-1.1	Pg.157
15 Main Air Jet	BS30/97-0.7	Pg.157
16 Spring, Idle Adjuster	730-07008	007-602
17		
18		
19 Pin Float	VM30/160	002-605
20 Float Assy.	859-34003	007-606
21 Needle Valve Assy.	N133.200-1.8	007-502
22 Screw, N.V. Holder	VM13/216	007-174
23 O-Ring, Needle Valve	KV/10	002-709
24 Filter, Needle Valve	VM18/233	002-606
25		
26		
27 Main Jet	N100.604-127.5	Pg. 156
28 Pilot Jet	VM28/486-37.5	Pg. 157
29 O-Ring, Float Bowl	619-94012	007-508
30 Drain Screw, Float Bowl	N133.363	007-509
31		
32		
33 Screw (Long), Float Bowl	C2=0416	007-622
34 Screw (Short), Float Bowl	C2=0414	007-621
35 O-Ring, A/P Nozzle	N124.063	007-163
36 A/P Nozzle	TM29/24	007-510
37 Plug, A/P Nozzle	TM29/14	007-164
38 Pilot Screw	N138.192	007-632
39 Spring, Pilot Screw	N138.187	007-631
40 Washer, Pilot Screw	VM12/33	002-856
41 O-Ring, Pilot Screw	N133.037	002-858
42		
43 Spring, A/P Plunger	730-04003a	002-867
44 A/P Plunger	TM29/18	007-511
45 Cap, A/P Rod	N150.048	007-512
46		
47		
48 VM38/212	Lever, A/P	007-683
49		
50		
51 Screw, Throttle Bracket	C5=0510	002-637
52 Bracket	TM33/33	007-648
53 Bell Crank	TM33/44	007-720
54		
55		
56		
57		
58 Bolt, Throttle Lever	VM28/230	002-519
59		
60		
61 Washer, Linkage Lever	M10/56	002-632
62 E-Ring, Linkage Lever	BSW28/70	002-355
63 Packing, Linkage Lever	B40/10	002-629
64 Choke Assy.	TM33/49	007-654
65 O-Ring, Choke Assy.	N138.198	007-160
66 Needle Jet - 640 Series	784-24111-P-8	Pg.155



Dimensions (mm)

A	B	C	D
40	93	160	50
Total Width		105	

TM Series Flat Valve Carburetor

Mikuni's original flat valve (flat slide) carburetor, the TM Series Carburetors provide significant performance improvements over older design round slide carburetors. Air flows faster and smoother through the TM Series venturi due to the flat slide configuration and the jet blocks which help create a smoothbore effect. The high velocity of the air flow means a stronger vacuum at the needle jet, providing more precise metering and better throttle response.

TM36 Four Stroke w/pump



TM38



TM36



TM24

Order No.	Carburetor Description	Main Jet	Pilot Jet	Needle Jet	Jet Needle	Throttle Valve	Air Jet
001-017	TM24-8001	4/042 130	VM22/210 15	454 Q-0	5N13	832-30006 3.0	Fixed
001-023	VM28-418	4/042 180	VM22/210 15	175 P-8	5DP39	832-33001 2.5	1.8
001-026	TM32-1	4/042 250	VM22/210 45	389 Q-2	5FP17	832-39012 4.0	None
001-033	TM34-2	4/042 280	VM22/210 50	389 Q-2	5FP17	832-39012 4.0	None
001-038	TM36-2	4/042 280	VM22/210 50	389 Q-6	6FJ40	832-43002a 4.0	None
001-060	TM38-85/47mm*	4/042 230	VM22/210 22.5	389 Q-2	6FJ41	832-43011 4.0	None
001-061	TM38-86/44mm*	4/042 230	VM22/210 22.5	389 Q-2	6FJ41	832-43011 4.0	None
001-032	TM33-8012**	N100.604 127.5	VM28/486 37.5	640 P-8	5FP96	1.5	0.7
001-552	TM36-68**	N100.604 130	VM28/486 12.5	568 P-8	9DZH6-50	TM36/137 2.0	1.0
001-085	TM40-6**(HS40)	N100.604 165	VM28/486 17.5	568 Y-6	9DJY04-96		1.1

*Spigot O.D. **w/Accelerator Pump

Power Jet Kits

The TM Series bodies are designed to accept Power Jet Pump Kits. Power Jet Kits are usually used on carburetors in 2 stroke engine applications to prevent lean-ing out during extended full-throttle running.

002-041 Power Jet Kit 36-44mm

* Includes #80, #100 and #120 power jets



Special Set TM Series Flat-Valve Carbs

Use the following part numbers when ordering a special jetting or request.

Carb	Jetting Change	T/V Change
TM24	001-170	
TM28	001-172	001-173
TM32	001-176	
TM34	001-178	
TM36-2	001-180	001-181
TM38 44mm*	001-152	001-153
TM38 47mm*	001-154	001-155
TM33	001-187	
TM36-68	001-185	

*Spigot O.D.

MIKUNI PRO-SERIES

001-194 39mm Pro (*43mm)

001-196 41mm Pro (*47mm)

For replacement parts, use TM Flat-Valve parts list on pg. 123



The Pro-Series Carburetor features proven performance gains with a hand machined venturi area. Our tests show that this carburetor's design will outflow many other factory produced carburetors by a minimum of 10% or more. This venturi design also provides a higher air speed rate at lower RPMs which results in a much stronger, smoother, wider powerband.

Pro-Series Carburetors are available in Special-Set, single or kit form in sizes 39 and 41mm.

Comes jetted to customer's application or request



Sudco Velocity Stacks for Mikuni TM and Pro-Series Carbs

Sudco also offers these spun aluminum Hi-Flow Velocity Stacks to fit their modified Mikuni TM36, 37, 38 and 39, 41 Pro-Series Carburetors. Designed for racing applications such as snowmobiling, dirt bikes, ATV's and roadracing, the Sudco Pro-Series TM Carbs can use the Velocity Stacks with or without air filters because of the Velocity Stacks press-fit inside the carb's mouth. The Sudco Velocity Stacks are available in 15mm and 50mm lengths for precise tuning.

005-255
005-257

15mm Mini
50mm Dirt Track Use

Throttle Valves

002-948	832-38007	1.5	TM33-8012
007-401	832-43011	2.5	TM38-85, TM38-86 (New Style Carb) Side Idle
007-402		3.0	
007-403		3.5	
007-404		4.0	
007-405		4.5	
002-734	832-43002	2.5	TM36, TM38 (Old Style Carb) Top Idle
002-735		3.0	
002-737		4.0	
002-739		5.0	
002-804	832-33001	2.5	TM28
002-951	832-30006	3.0	TM24
002-800	832-39012	4.0	TM32, TM34
002-948	832-38007	1.5	TM33

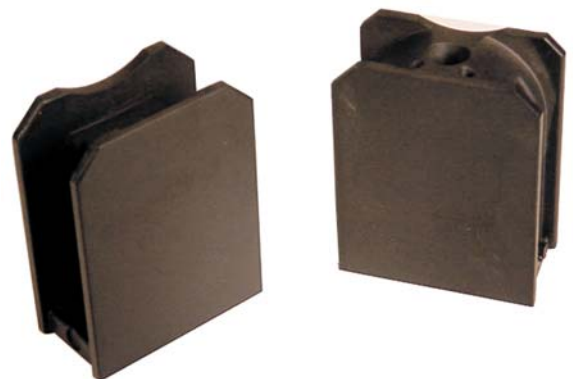


Cable Type Starter System

Fits TM32-38 and 39 & 41 Pro-Series. Complete Cable Type Starter System. Includes items A thru F.

Order No. 002-351

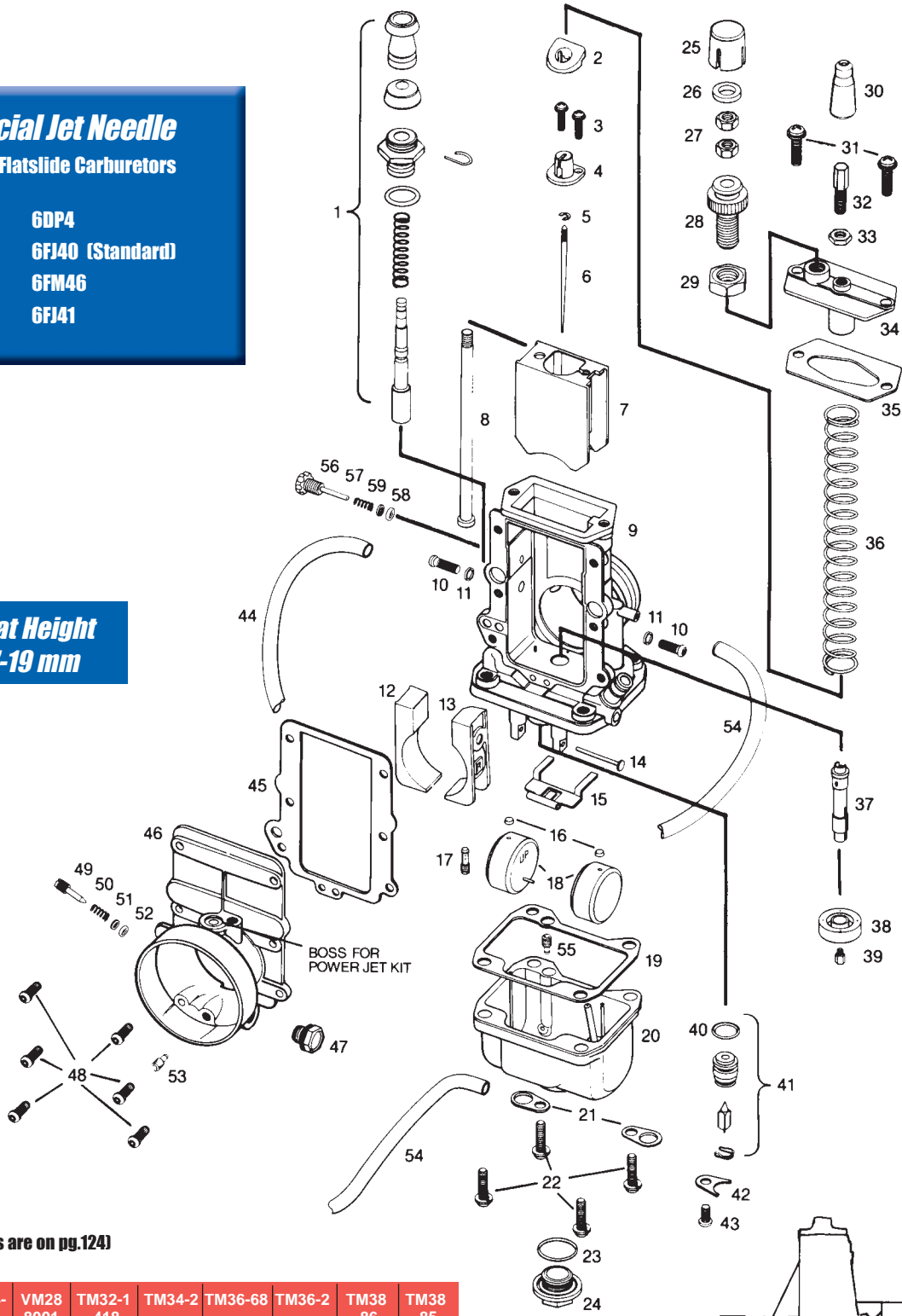
- A. Starter Plunger Top, Rubber Cap
002-061 VM26/46
- B. Cable Adjuster
002-062 M21/14
- C. Cable Adjuster Locknut
002-065 B30/247
- D. Starter Plunger Fitting
002-093 VM15/37
- E. Starter Plunger Spring
002-094 VM32/69
- F. Starter Plunger
002-095 VM15SC4/85



Special Jet Needle
for 38 Flatslide Carburetors

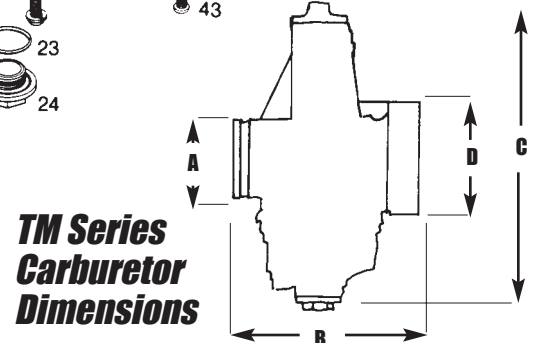
RICH 6DP4
↑
6FJ40 (Standard)
↓
LEAN 6FM46
6FJA1

Float Height
17-19 mm



(TM33 dimensions are on pg.124)

Model	VM24-	VM28 8001	TM32-1 -418	TM34-2	TM36-68	TM36-2	TM38 -86	TM38 -85
Dimension A	31	33	40	42	43	47		
Dimension B	75	82	83	100	100			
Dimension C	145	135	160	176.5	170			
Dimension D	44	44	58	54	62			
Total Width	76	76	78	78	75			



- | | | | |
|---|------------------------|-------------------|------------------|
| 1. Comoplete Starter System | | | |
| 002-815 | VM28/116(plunger only) | TM28 | Lever Type |
| 002-816 | VM29/47 | TM32, 34, 36, 38 | |
| 2. Nylon Ring | | | |
| 002-753 | VM38/153 | TM36, 38 | |
| 002-780 | VM24/791A | TM24 | |
| 3. Screws | | | |
| 007-265 | CW2=2608 | TM24 | |
| 002-752 | CW2=0310 | TM28, 32-38 | |
| 4. Cable Connector | | | |
| 002-751 | VM38/152 | TM36, 38 | |
| 002-758 | VM24/790 | TM24 | |
| 5. Needle Positioning Clip | | | |
| 002-083 | VM20/369 | All TM Series | |
| 6. Jet Needle | | | |
| 002-273 | 5DP39 | TM28, 32, 34 | |
| 002-300 | 5DH3 | | |
| 002-299 | 6DH2 | | |
| 002-315 | 6F9 | | |
| (See pg.152 for a complete list) | | | |
| 7. Throttle Valve (See pg.134) | | | |
| 8. Idle Rod | | | |
| 002-732 | VM38/159 | TM36, 38 | |
| (not applicable for TM28 through TM34) | | | |
| 9. Mixing Chamber Top (N/A) | | | |
| 10. Screw, Jet Block | | | |
| 002-742 | VM38/132 | All TM Series | |
| 11. Washer | | | |
| 002-741 | VM34/274 | All TM Series | |
| 12. Jet Block, Left | | | |
| 002-710 | VM38/144 | TM38 | |
| | (VM38/121) | | |
| 13. Jet Block, Right | | | |
| 002-711 | VM38/145 | TM38 | |
| | (VM38/122) | | |
| 14. Float Pin | | | |
| 002-605 | VM30/160 | ALL TM Series | |
| 15. Float Arm | | | |
| 002-112 | VM36/15 | TM32, 34, 36, 38 | |
| (TM28 not applicable) | | | |
| 16. Cap, Float Guide Pin | | | |
| 002-718 | VM26/42 | All TM Series | |
| 17. Pilot Jet (See chart pg.157) | | | |
| 18. Float | | | |
| 002-113 | VM24/236 | TM32, 34, 36 | |
| 007-255 | VM24/365 | TM24 | |
| 002-481 | 859-52020 Rt | TM38 | |
| 002-482 | 859-52021 Lt | TM38 | |
| 19. Gasket, Float Chamber | | | |
| 002-700 | VM34/374 | TM32, 34, 36 38 | |
| 007-251 | VM26/228 | TM28 | |
| 007-250 | VM20/492 | TM24 | |
| 20. Float Chamber Body Assembly | | | |
| 002-820 | TM32/02-60 | TM32 | |
| 002-821 | TM32/02-80 | TM34 | |
| 002-701 | TM32/02-100 | TM36, 38 | |
| | (VM38/121) | | |
| 21. Plate, Hose Retaining | | | |
| 002-204 | VM28/79A | | |
| 22. Screw | | | |
| 002-823 | CW2=0416 | TM28 | |
| 002-373 | CW2=0516 | TM32, 34, 36, 38 | |
| 002-615 | CW2=-416-B | TM24 | |
| 23. O-Ring | | | |
| 002-825 | VM26/227 | TM28 | |
| 002-531 | VM28/254 | TM32, 34, 36, 38 | |
| 24. Drain Plug | | | |
| 002-827 | VM28/817 | TM28 | |
| 002-526 | VM28/253 | TM32, 34, 36, 38 | |
| 25. Cap, Idle Adjuster | | | |
| 002-731 | VM35/40 | TM36, 38 | |
| (not applicable for TM28 through TM34) | | | |
| 26. Packing | | | |
| 002-730 | N138.077 | TM36, 38 | |
| 27. Nut | | | |
| 002-729 | N2=04 | TM36, 38 | |
| (not applicable for TM28 through TM34) | | | |
| 28. Idle Adjuster | | | |
| 002-728 | 603-68001 | TM36, 38 | |
| (not applicable for TM28 through TM34) | | | |
| 29. Nut | | | |
| 002-727 | BDC36/35 | TM36, 38 | |
| (not applicable for TM28 through TM34) | | | |
| 30. Rubber Cap | | | |
| 002-061 | VM26/46 | TM28 | |
| 002-723 | VM18/228 | TM32 through TM38 | |
| 31. Screw w/ Lock Washer | | | |
| 002-748 | CW2=0412 | All TM Series | |
| 32. Cable Adjuster | | | |
| 002-724 | VM36/83 | TM32, 34, 36, 38 | |
| 33. Lockout | | | |
| 002-065 | B30/247 | All TM Series | |
| 34. Mixing Chamber Top | | | |
| 002-733 | 776-19002 | TM36, 38 | |
| 35. Gasket, Top | | | |
| 002-830 | VM28/1045 | TM28 | |
| 002-725 | VM38/127 | TM36, 38 | |
| 007-260 | VM24/785 | TM24 | |
| 007-268 | VM32/495 | TM32-34 | |
| 36. Spring, Throttle Valve | | | |
| 002-831 | 730-11003 | TM24 | |
| 002-832 | 730-15001 | TM28 | |
| 002-750 | 730-16003 | TM36, 38 | |
| 002-833 | 930-15004 | TM32, 34 | |
| 37. Needle Jet (See chart pg. 154-155) | | | |
| #175 Series | | TM28 | |
| #454 | | TM24 | |
| #389 | | TM32, 34, 36, 38 | |
| 38. Ring, Main Jet | | | |
| 002-664 | VM28/449 | TM24 | |
| 002-836 | VM28/429 | TM28 | |
| 002-837 | VM34/454 | TM32, 34, 36 | |
| 002-835 | TM34/36 | TM38 | |
| 39. Main Jet, 4/042 (See pg.156) | | | |
| 40. O-Ring | | | |
| 002-838 | VM24/559 | TM28 | |
| 002-709 | KV/10 | TM32, 34, 36, 38 | |
| 41. Needle Valves (incl. o-ring) | | | |
| 002-842 | VM24/557A | 1.5 | TM24 |
| 002-841 | | 2.0 | |
| 002-840 | | 2.5 | |
| 002-840 | | 2.5 | TM28 |
| 002-703 | 786-46011 | 1.5 | TM32, 34, 36, |
| 002-702 | | 1.8 | 38 |
| 002-704 | | 2.0 | |
| 002-706 | | 3.0 | |
| 002-705 | | 3.3 | |
| 002-707 | | 3.5 | |
| 007-502 | N133.200 | 1.8 | TM33 |
| 007-503 | | 2.0 | |
| 007-504 | | 2.3 | |
| 007-505 | 786-36011 | 3.3 | TM36** |
| 42. Plate, Needle Nalve | | | |
| 002-721 | VM24/560 | All TM Series | |
| 43. Screw | | | |
| 002-845 | C2-0408 | TM28 | |
| 002-722 | C2=0406 | TM32, 34, 36, 38 | |
| 44. Vent Hose | | | |
| 45. Gasket, Front Cover | | | |
| 002-847 | VM28/1044 | TM28 | |
| 002-726 | VM38/126 | TM38 | |
| 46. Front Body, Air Intake (N/A) | | | |
| 47. Bolt | | | |
| 002-756 | BV15/27 | TM38 | |
| (not applicable for TM28 through TM36) | | | |
| 48. Screw | | | |
| 002-749 | VM38/133 | All TM Series | |
| 49. Air Screw, Pilot | | | |
| 002-850 | VM20/584 | TM24, 28 | |
| 002-720 | VM24/622 | TM32, 34, 36, 38 | |
| | (VM20/305) | | |
| 50. Spring, Pilot Air Screw | | | |
| 002-181 | M12F/46a | All TM Series | |
| 51. Washer, Pilot Air Screw | | | |
| 002-856 | VM12/33 | TM32, 34, 36, 38 | |
| (not applicable for TM28) | | | |
| 52. O-Ring, Pilot Air Screw | | | |
| 002-858 | N133.037 | All TM Series | |
| (not applicable for TM28) | | | |
| 53. Air Jet, BS30/97 (See pg. 157) | | | |
| 54. Overflow Hose | | | |
| 55. Starter Jet | | | Std. for: |
| 004-400 | VM17/1002 | #15 | TM28 |
| 004-402 | | #20 | |
| 004-406 | | #40 | TM38 |
| 004-410 | | #60 | TM32 |
| 004-414 | | #80 | TM34, 36 |
| 004-418 | | #100 | |
| 56. Idle Stop Screw | | | |
| 002-860 | 603-27002 | TM24, 28 | |
| 002-861 | 603-16003 | TM32, 34, 38 | |
| 57. Spring, Idle Screw | | | |
| 002-863 | VM15/112 | TM24, 28 | |
| 002-864 | VM24/556 | TM32, 34 | |
| 58. O-Ring | | | |
| 002-676 | VM14/75 | TM28, 24 | |
| 002-212 | BV32/04 | TM32, 34, 38 | |
| 59. Washer | | | |
| 002-866 | VM14/87 | TM28 | |
| (not applicable for TM32, 34, 36, 38) | | | |

*TM38-85, TM38-86 side idle carburetors only.

Idle Kit

order No. **002-760**

For TM36, TM38 Top Ide Carbs

kit includes:

parts #8, #25, #26, #27, #28, 29, #34